

## ad notam POWER ADAPTOR

ET\_456

External low voltage power adaptor for **ad notam** monitor systems.

Applicable with **ad notam** article numbers:

FPD-0320 \* FPD-0370

DFU-0260-000 \* DFU-0320-000 \* DFU-0420-000



### PRODUCT FEATURES

- Universal AC Input
- Meets CEC & ErP Level V
- Meets EN55022 Class "B"
- Meets CISPR/FCC Class "B"
- Continuous Short Circuit Protection
- High Efficiency Operation, 87% Typical
- Over Voltage Protection

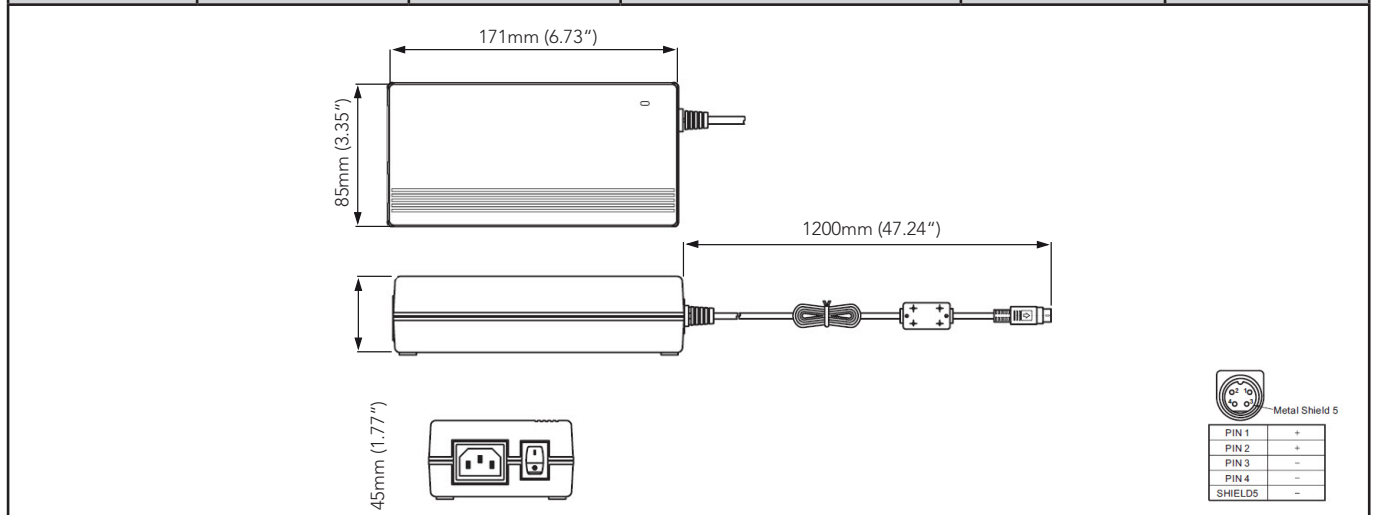
### PACKAGE INCLUDES

- 1 x power adaptor
- 1 x power cord

### OPTIONAL ACCESSORIES

- DC - DC extension cable [CSET-7](#)

| Power       | Voltage Input | Voltage Output | Operating Temperature | Humidity | Weight |
|-------------|---------------|----------------|-----------------------|----------|--------|
| 180W / 7.5A | 100 ~ 240V AC | 24V DC         | 0 - 40 °C             | 20 - 90% | 1000g  |



### ARTICLE NO.

| Art.No. | Code |
|---------|------|
| ET_     | 456  |